

Toshiba International Corporation Uninterruptible Power Systems



1000 Series 1500VA 120V Rackmount 2U - UT1A1A015C6RKB2

1500VA 120V/120V Rackmount 2U. The 2U Rackmount has all the great standard features with battery cabinet additions for a longer run-time.

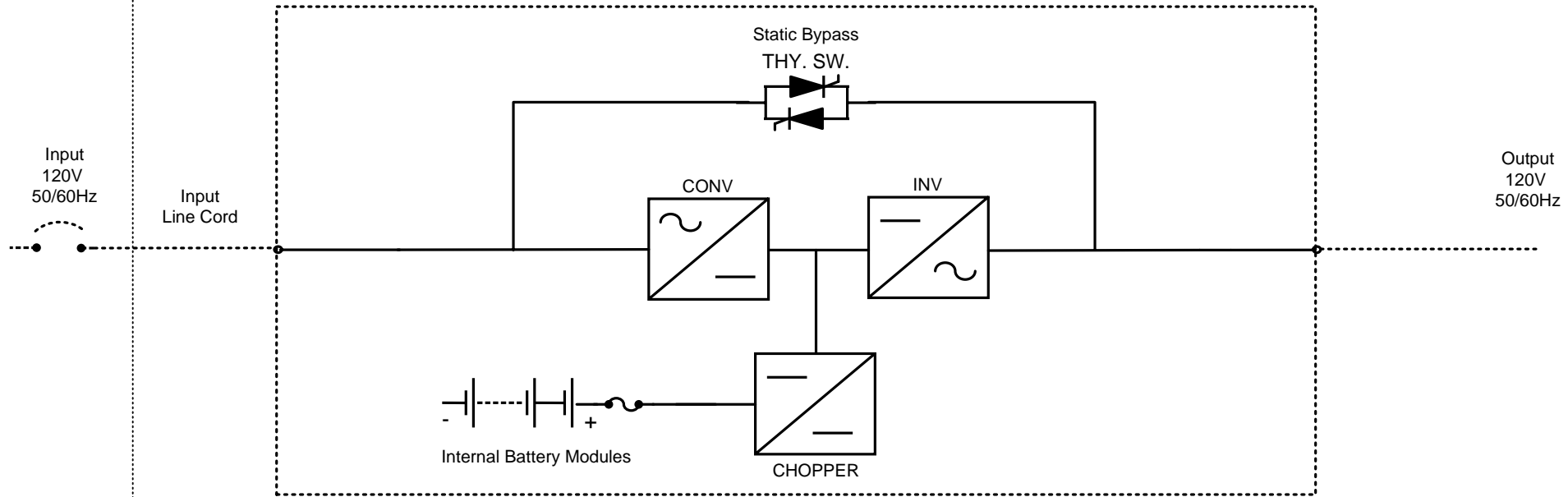
Product Specifications

INPUT	Voltage	120Vac
	Voltage Range	80V~144V (+20% to -33%)
	Frequency	50/60 Hz Auto Sensing
	Synchronization window	± 3Hz
	Power Factor	Greater than 0.97
	THD Current	Less than 9% at Full Load
	Topology	True On-Line, Double Conversion, Input PF Correction
	OUTPUT	Voltage
Capacity (VA)		1500VA
Capacity (W)		1050W
Voltage Regulation		± 2%
Voltage Distortion		Less than 5% THD at Full Non-Linear Load. Less than 3% THD at full Linear Load.
Step Load		± 9 % max from 100% to 20 % or from 20% to 100 % linear load
Rated Current		12.5A
Overload Capacity		125% for 1 minute, 150% for 10 seconds
Crest Factor		3.0 at full load
Frequency		50/60 Hz Auto Sensing
Frequency Regulation		± 0.25Hz
Wave Form		Sine wave, Zero Transfer Time
Load Power Factor		0.7
Efficiency AC to AC		Greater than 86%
BATTERY		DC Voltage
	Backup Time	6 min (full load) 18 min (half load)
	Battery type	Yuasa Flame Retardant Lead Acid 9Ah/12V
	Number of batteries	3
	Recharge time	<4 hours to 90%

Toshiba International Corporation Uninterruptible Power Systems

PHYSICAL	Interface	RS-232, USB Standard, Option Card Interface, Network Transient Protector, External Battery Connectivity
	Line Cord	5-15P
	Receptacles	Six NEMA 5-15R
	Dimensions WxDxH (mm)	425x429x 84
	Ship Dimensions WxDxH (mm)	553x546x206
	Dimensions W x D x H (inch)	16.73x16.9x3.5
	Ship Dimensions WxDxH (inch)	21.75x21.5x8.11
	Weight kg (lb)	17.0 (37.6)
	Ship Weight kg (lb)	19.3(42.5)
OPTION	External Matching Battery Cabinet	Single - 20 Mins, Double - 40 Mins. Max Two Cabinets. Part #: UT1-BR-0125
	Remote Contact Card	Part #: UT1-RMT-CONTACT
	Network Interface Card	RemotEye II - Part #: RMTI-INT-R4
	Environmental Monitoring Device	Part #: RMTI-EMD-HT
	Frequency Conversion	Software Package Part # DUM0029
ENVIRONMENT	Operating Ambient Temperature	0 ~ 40°C (32 ~ 104°F)
	Recommended Temperature	+15°C ~ 25°C
	Storage Temperature	-15°C ~ 50°C
	Cooling	Forced Air-Cooling
	Humidity	0-95%, Non-Condensing
	Audible Noise	Less than 45db Normal and Battery Modes
	Altitude	11500 ft (3,500 m) above sea level
CONFORMANCE	Regulatory Approvals	FCC Part 15 Class B, UL 1778, ICES-003
WARRANTY		Three years on electronics
		Two years full replacement on battery (See Toshiba warranty policy for full details)

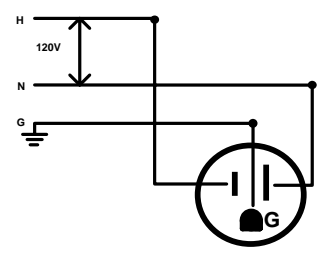
UPS Cabinet



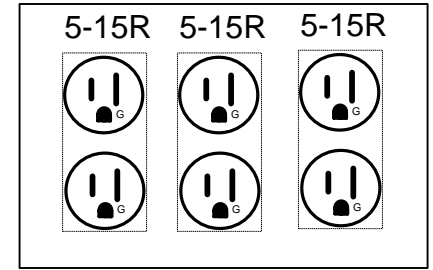
Input Cord
Line Cord 5-15P (6ft)



Wiring Diagram



Output Receptacle Panel



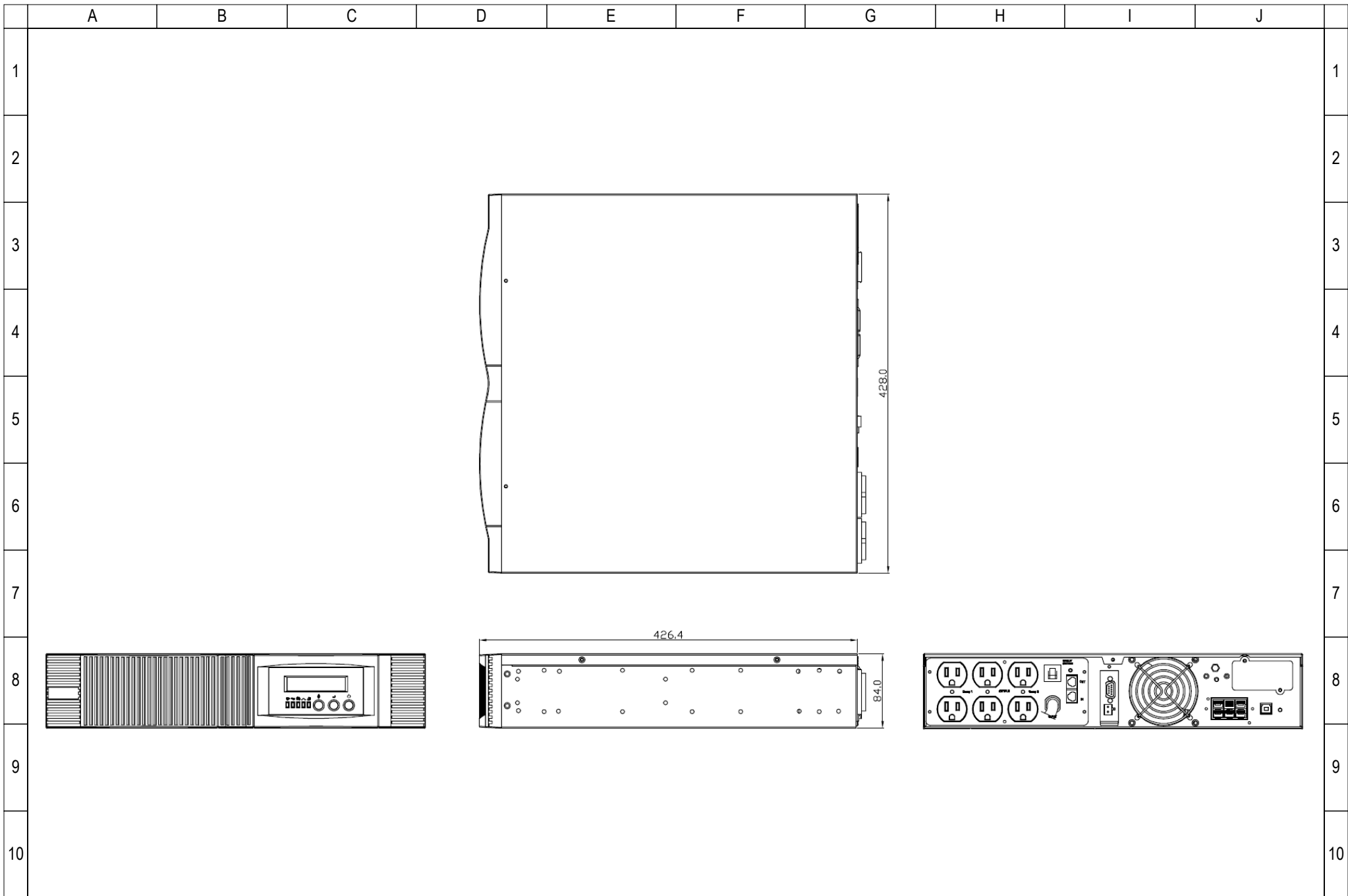
NOTES
1) This drawing is for illustration purposes only and is subject to change without notice. TIC is not responsible for any errors or omissions.

Drawn by
JE
DATE 11/28/05
Approved by
GM
DATE 11/28/05

TOSHIBA
INTERNATIONAL CORPORATION
Houston Texas, USA
THIS MATERIAL IS THE EXCLUSIVE PROPERTY OF TOSHIBA INTERNATIONAL CORPORATION AND SHALL NOT BE REPRODUCED, USED, OR DISCLOSED TO OTHERS UNLESS PRIOR WRITTEN AUTHORIZATION IS OBTAINED.

TITLE
1000 Series Rackmount
1.5 kVA Model 120V Input
120V Output

DRAWING NO.
UT1A1A015C6RKB2
REV.
1.0



NOTES

1) This drawing is for illustration purposes only and is subject to change without notice. TIC is not responsible for any errors or omissions.

Drawn by
ER
DATE 04/16/12
Approved by
TT
DATE 04/16/12

TOSHIBA

INTERNATIONAL CORPORATION
Houston Texas, USA

THIS MATERIAL IS THE EXCLUSIVE PROPERTY OF
TOSHIBA INTERNATIONAL CORPORATION AND SHALL NOT
BE REPRODUCED, USED, OR DISCLOSED TO OTHERS
UNLESS PRIOR WRITTEN AUTHORIZATION IS OBTAINED.

TITLE
1000 Series Rackmount
1.5 kVA Model 120V Input
120V Output

DRAWING NO.
UT1A1A015C6RKB2

REV.
1.0