

A C U



Submersible Pump

Model S6C1-E35



Size 6"

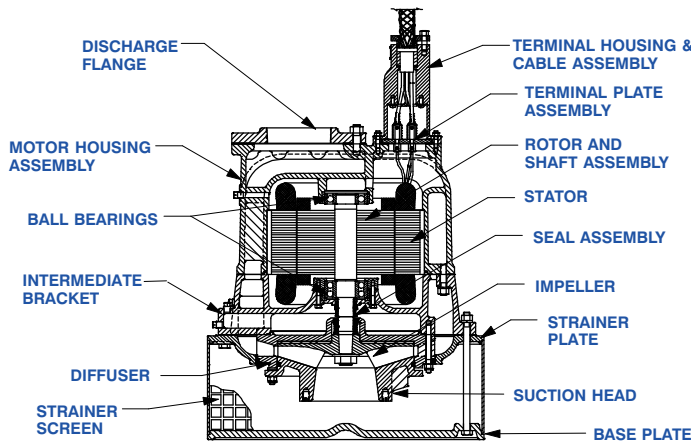
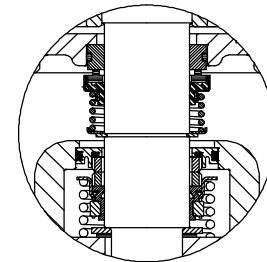
PUMP SPECIFICATIONS

- Diffuser:** Ductile Iron 80-60-03;
Maximum Operating Pressure 64 psi (441 kPa).*
- Semi-Open Type, Six Vane Impeller:** Ductile Iron 80-60-03.
- Suction Head:** Ductile Iron 80-60-03.
- Motor Housing:** Aluminum Alloy 356-T6.
- Intermediate Bracket:** Aluminum Alloy 356-T6.
- Strainer Plate:** Aluminum Alloy 356-T6.
- Motor Shaft:** Stainless Steel 17-4 PH.
- Bearings:** Upper and Lower, Open Single Row Ball.
- Discharge Flange:** Gray Iron 30.
- Gaskets:** Cork ^{w/Nitrile Binder (NC710)} and Vegetable Fiber.
- O-Ring:** Synthetic Rubber (DuPont Neoprene[®] or Equivalent).
- Wetted Hardware:** Standard Plated Steel and Stainless Steel.
- Strainer:** Urethane Coated Steel; 49% Open Area, 0.62" (15,7 mm) Square Openings.
- Hoisting Bail.** Urethane Coated Steel.
- Standard Equipment:** NEMA Type 3R Rainproof Control Box.
Provides On-Off, Circuit Breaker and Motor Overload Protection.
(See Section 130, Page 95.)
- Optional Equipment:** Staging Adapter Kit. Turtle Type Pressure Activated Level Switch. Float Activated Level Switch. (See Sec. 130, Page 150.)



MOTOR/CABLE SPECIFICATIONS

- Motor:** Oil Filled Enclosure; 35 H.P.; 1750 R.P.M.;
Three Phase: 460/575 Volt, 60 Hz, 44/35 Full Load Amps, 28 kW (Max.)
- Power Cable:** 6 Wire; Type GGC; 6 AWG. 3 Power Conductors, plus 2 Ground Conductors and 1 Ground Check. Nominal Length 50 Feet (15 m) Standard. (Specify Alternate Length at Time of Order.)
- Recommended Generator Size:** 60 kW Across the Line Start, 40 kW for Reduced Voltage Starting.
- * Consult Factory for Applications Exceeding Maximum Pressure and/or Temperature Indicated.



SEAL SPECIFICATIONS

- Tandem, Oil Lubricated.
- Upper Seal:** Type 2, Mechanical. Carbon Rotating Face. Ceramic Stationary Face. Buna-N Elastomers. Stainless Steel 18-8 Cage and Spring.
- Lower Seal:** Type 2, Mechanical. Tungsten Titanium Carbide Rotating and Stationary Faces. Stainless Steel 316 Stationary Seat. Fluorocarbon Elastomers (DuPont Viton[®] or Equivalent). Stainless Steel 18-8 Cage and Spring. Maximum Temperature of Liquid Pumped, 122°F (50°C).*



THE GORMAN-RUPP COMPANY • MANSFIELD, OHIO
GORMAN-RUPP OF CANADA LIMITED • ST. THOMAS, ONTARIO, CANADA

www.grpumps.com

Specifications Subject to Change Without Notice

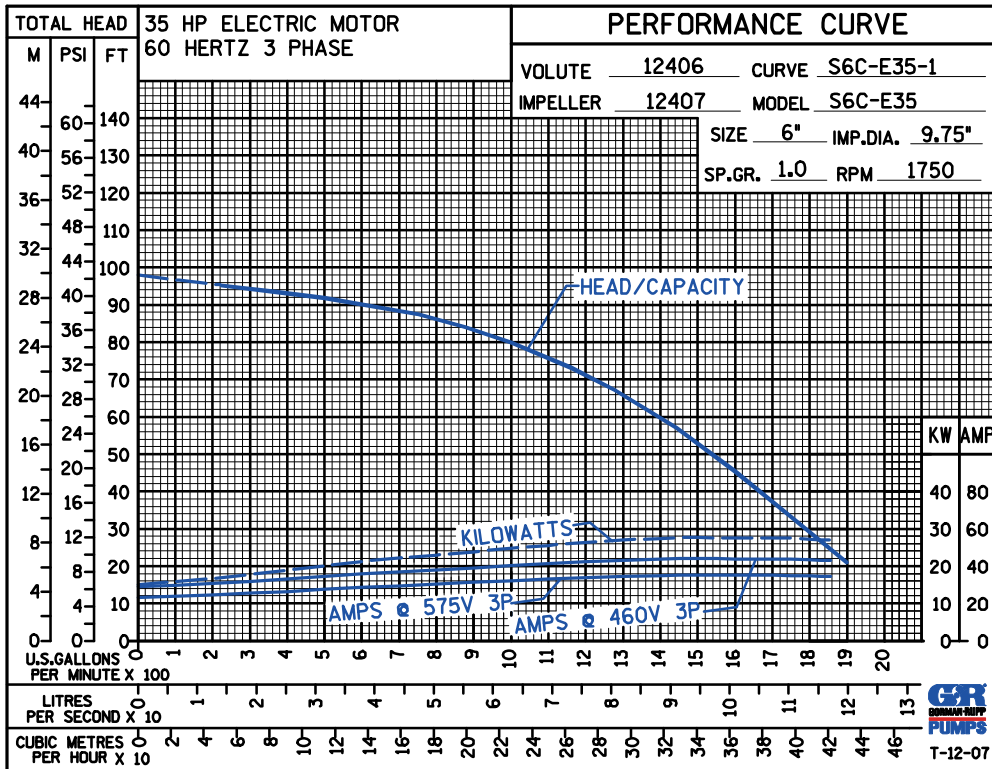
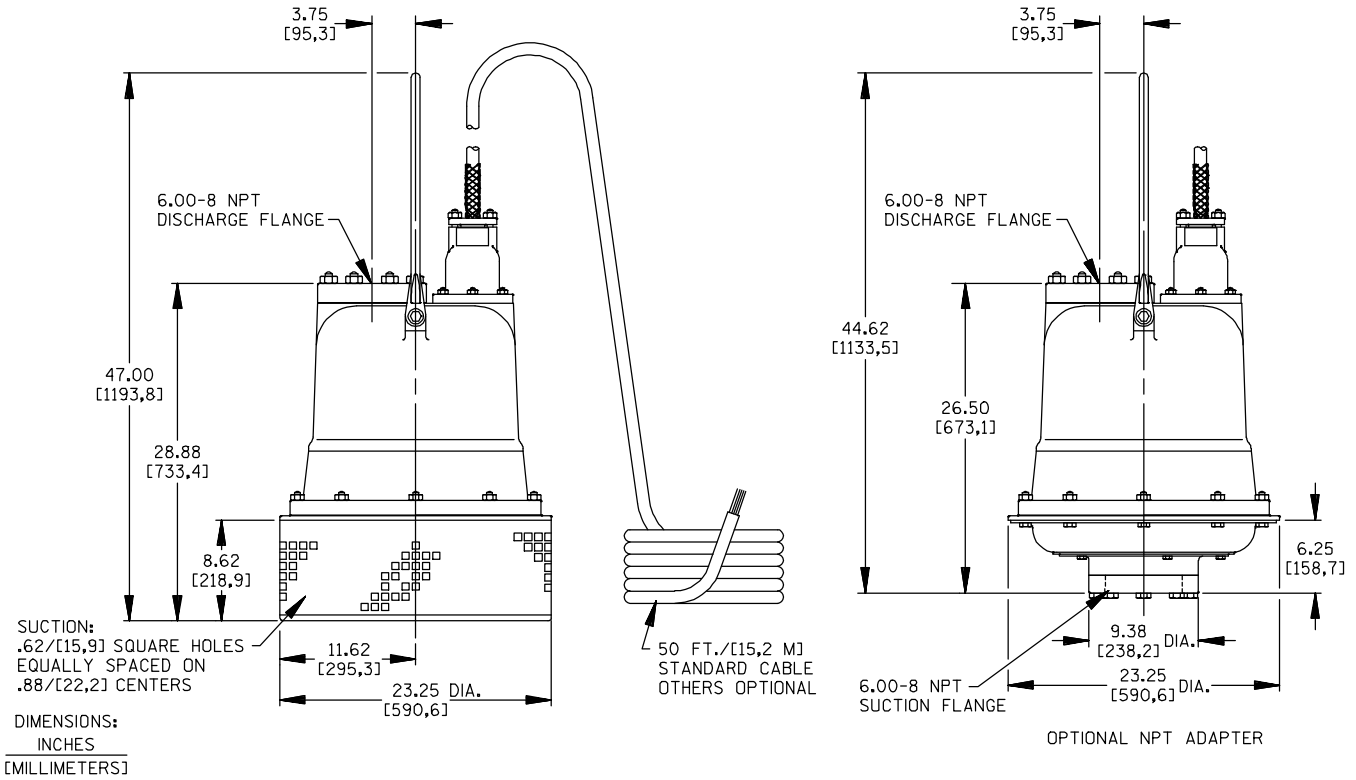
Printed in U.S.A.

Specification Data

SECTION 130, PAGE 1325C

APPROXIMATE
DIMENSIONS and WEIGHTS

NET WEIGHT: 595 LBS. (269,9 KG.)
SHIPPING WEIGHT: 675 LBS. (306,2 KG.)
EXPORT CRATE: 36.9 CU. FT. (1,04 CU. M.)



THE GORMAN-RUPP COMPANY • MANSFIELD, OHIO

GORMAN-RUPP OF CANADA LIMITED • ST. THOMAS, ONTARIO, CANADA

Specifications Subject to Change Without Notice

Printed in U.S.A.