



# Electric Motor Driven Submersible Pump

## Model S4E1-E20

### Size 4"



**PUMP SPECIFICATIONS**

- Diffuser:** Aluminum Alloy 356-T6 w/Urethane Bonded Lining.
- Impeller:** G-R Hard Iron.
- Adjustable Suction Head:** Aluminum Alloy 356-T6 w/Urethane Bonded Lining.  
Maximum Operating Pressure 175 psi (1206 kPa).\*
- Seal Plate:** Aluminum Alloy 356-T6 w/Urethane Bonded Lining.
- Intermediate:** Aluminum Alloy 356-T6.
- Pump Casing:** Aluminum Alloy 6061-T6 w/Chromicoat.
- Motor Housing:** Aluminum Alloy 356-T6.
- Motor Shaft:** Stainless Steel 416.
- Shaft Sleeve:** Stainless Steel 304.
- Bearings:** Upper, Two Synthetic Seals, Single Row Ball Bearing.  
Lower, Two Shields, Double Row Ball Bearing.
- Discharge Flange:** Aluminum Alloy 356-T6.
- Gaskets:** Cork with Nitrile Binder (NC710).
- O-Rings:** Buna-N.
- Wetted Hardware:** Standard Plated Steel and Stainless Steel.
- Strainer:** Urethane Coated Steel; 50.6% Open Area,  
0.375" (9,5 mm ) Diameter Openings.
- Hoisting Bail:** Urethane Coated Steel.

**Standard Equipment**

**NEMA Type 3R Rainproof Control Box.** (See Section 130, Page 90.)  
Provides On-Off, Circuit Breaker and Motor Overload Protection.

**Optional Equipment**

- Liquid Level Control:** (See Sec. 130, Page 150.)
  - a. Turtle Type Pressure Activated Level Switch.
  - b. Float Activated Level Switch.

**Staging Adapter Kit.**

**MOTOR/CABLE SPECIFICATIONS**

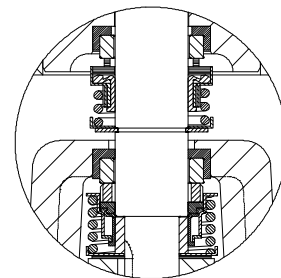
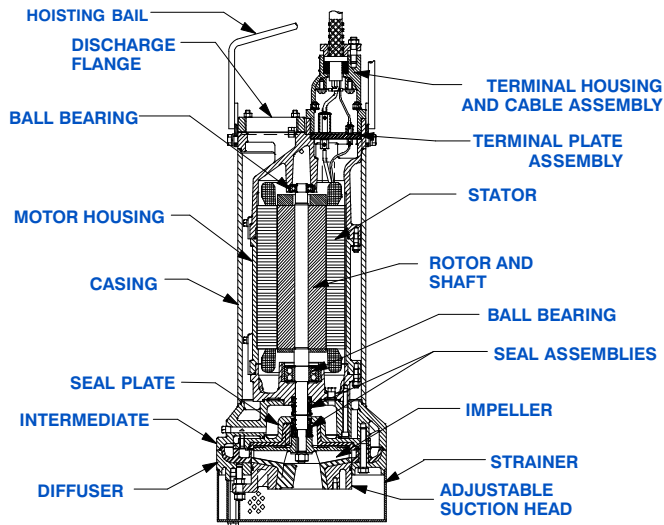
- Motor:** Air Filled Enclosure with Thermal Overload Protection; 20 H.P.; 3450 R.P.M.  
Three Phase: 460/575 Volt, 60 Hz, 26/20.8 Full Load AMPS, 19 kW (Max.)
- Power Cable:** 9 Wire; Type SPC; (3) 8 AWG. Power Conductors, (1) 6 AWG. Ground  
Conductor, (4) 14 AWG. Control Conductors and (1) 8 AWG. Ground Check.  
Nominal Length 50 Feet (15 m) Standard.  
(Specify Alternate Length at Time of Order.)
- Recommended Generator Size:** 60 kW Across the Line Start.  
40 kW for Reduced Voltage Starting.

\* Consult Factory for Applications Exceeding Maximum  
Pressure and/or Temperature Indicated.



**WARNING!**

Do not use in explosive atmosphere or for pump-  
ing volatile flammable liquids.



**SEAL SPECIFICATIONS**

Tandem, Oil Lubricated.

**Upper Seal:** Type 21, Mechanical. Carbon Rotating Face. Ni-Resist Stationary Face. Fluorocarbon Elastomers (DuPont Viton® or Equivalent). Stainless Steel 18-8 Cage and Spring.

**Lower Seal:** Type 2, Mechanical. Tungsten Titanium Carbide Rotating Face and Silicon Carbide Stationary Face. Fluorocarbon Elastomers (DuPont Viton® or Equivalent). Stainless Steel 303/304 Cage and Spring.

Maximum Temperature of Liquid Pumped, 122°F (50°C).\*



**GORMAN-RUPP PUMPS**

www.grpumps.com

Specifications Subject to Change Without Notice

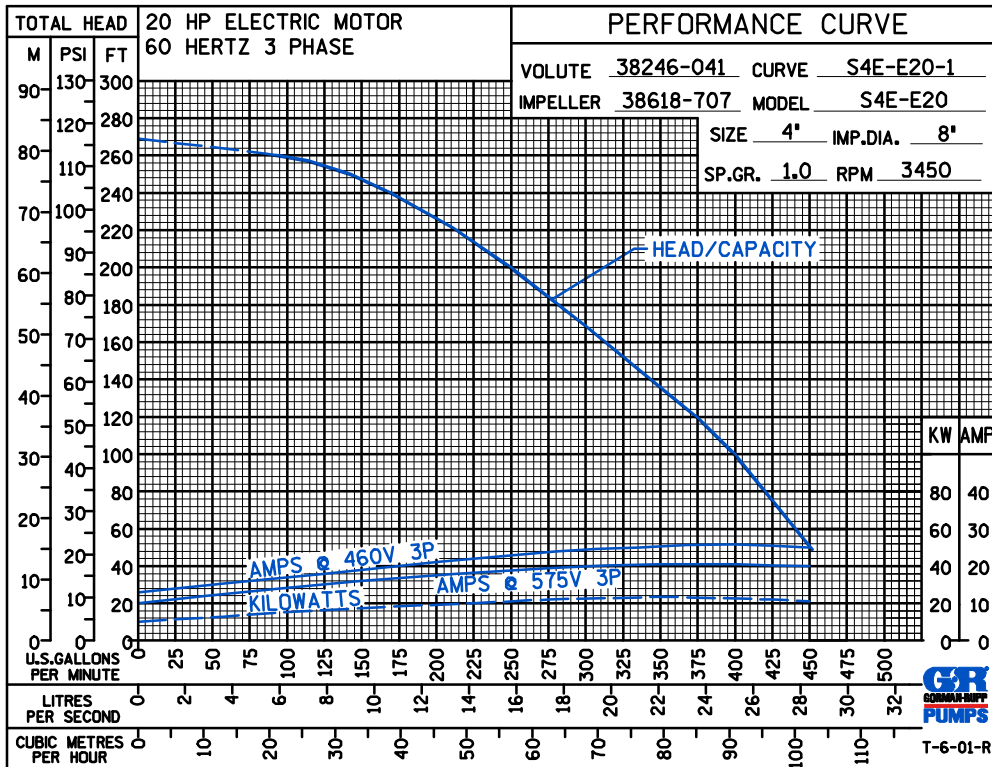
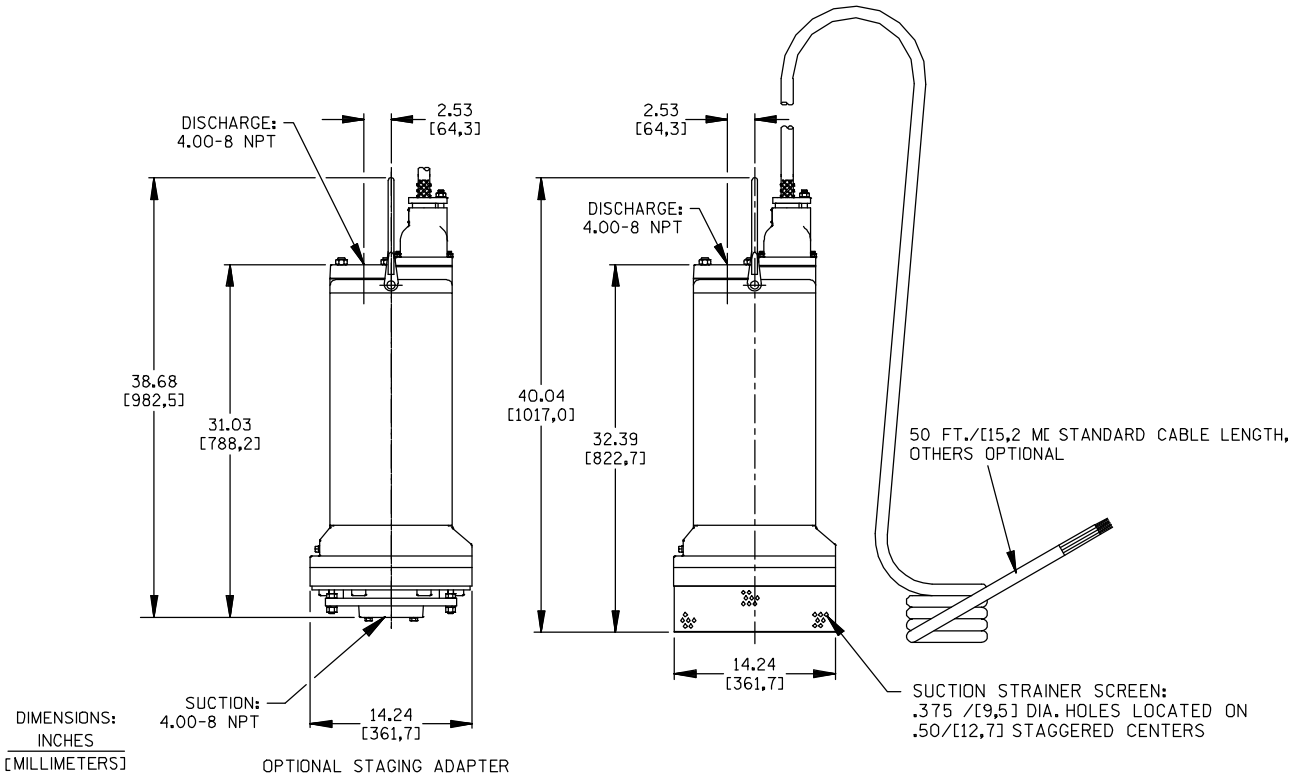
Printed in U.S.A.

**Specification Data**

**SECTION 130, PAGE 1080C**

APPROXIMATE  
DIMENSIONS and WEIGHTS

**PUMP & CABLE NET WEIGHT: 305 LBS. (138,3 KG.)**  
**GROSS SHIPPING WEIGHT: 380 LBS. (172,4 KG.)**  
**EXPORT CRATE: 12 CU. FT. (0,34 CU. M.)**



**GORMAN-RUPP PUMPS**

www.grpumps.com

Specifications Subject to Change Without Notice

Printed in U.S.A.

© Copyright Gorman-Rupp Pumps 2014