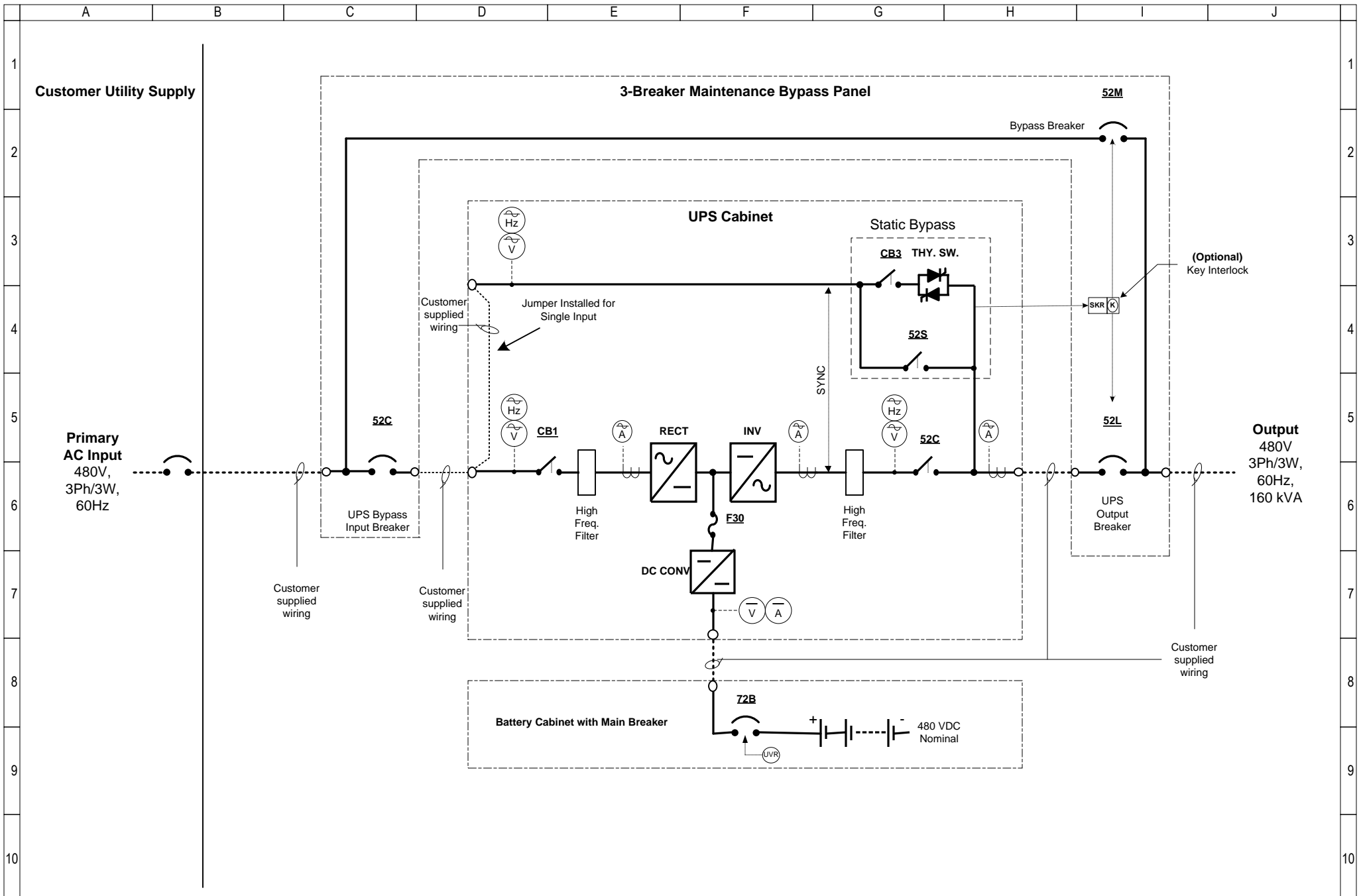


<p>NOTES</p> <p>1) This drawing is for illustration purposes only and is subject to change without notice. TIC is not responsible for any errors or omissions.</p>	<p>Drawn by EKM Date 11/04/08 Approved by</p>	<p align="center">TOSHIBA INTERNATIONAL CORPORATION Houston Texas, USA</p> <p>THIS MATERIAL IS THE EXCLUSIVE PROPERTY OF TOSHIBA INTERNATIONAL CORPORATION AND SHALL NOT BE REPRODUCED, USED, OR DISCLOSED TO OTHERS UNLESS PRIOR WRITTEN AUTHORIZATION IS OBTAINED.</p>	<p>TITLE</p> <p align="center">One-Line Diagram 160 kVA G9000 Series UPS 480V Dual Input, 480V Output, with External 3-Breaker Bypass Panel</p> <p>DRAWING NO. T90S3S16KS6XSN-E3-DI</p> <p>REV. 0.0</p>
---	---	---	--



NOTES

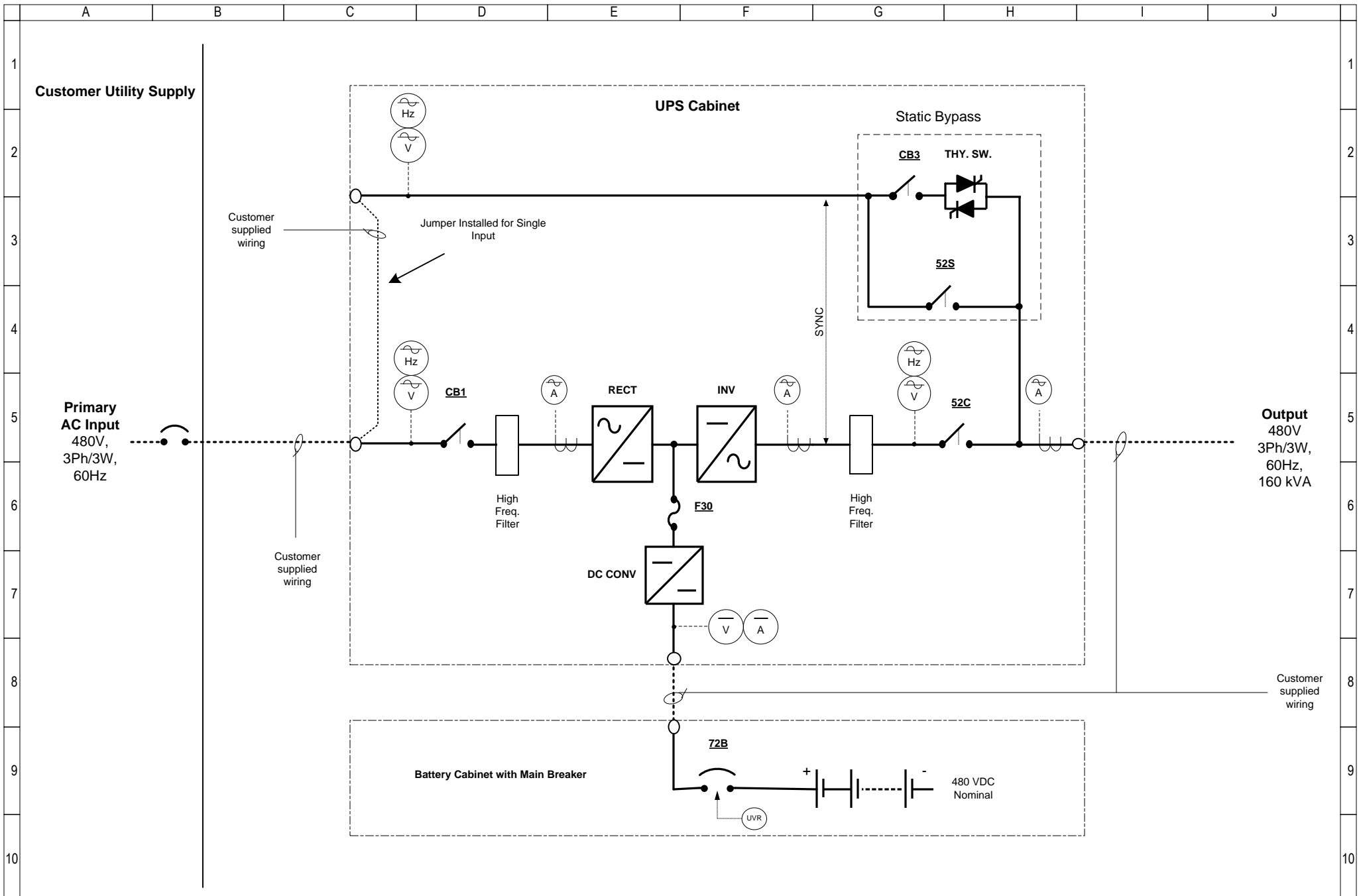
1) This drawing is for illustration purposes only and is subject to change without notice. TIC is not responsible for any errors or omissions.

Drawn by
EKM
Date 11/04/08
Approved by

TOSHIBA
INTERNATIONAL CORPORATION
Houston Texas, USA

THIS MATERIAL IS THE EXCLUSIVE PROPERTY OF TOSHIBA INTERNATIONAL CORPORATION AND SHALL NOT BE REPRODUCED, USED, OR DISCLOSED TO OTHERS UNLESS PRIOR WRITTEN AUTHORIZATION IS OBTAINED.

TITLE One-Line Diagram 160 kVA G9000 Series UPS 480V Single Input, 480V Output, with External 3-Breaker Bypass Panel	
DRAWING NO. T90S3S16KS6XSN-E3-SI	REV. 1.0



NOTES

1) This drawing is for illustration purposes only and is subject to change without notice. TIC is not responsible for any errors or omissions.

Drawn by
EKM
Date 11/04/08
Approved by

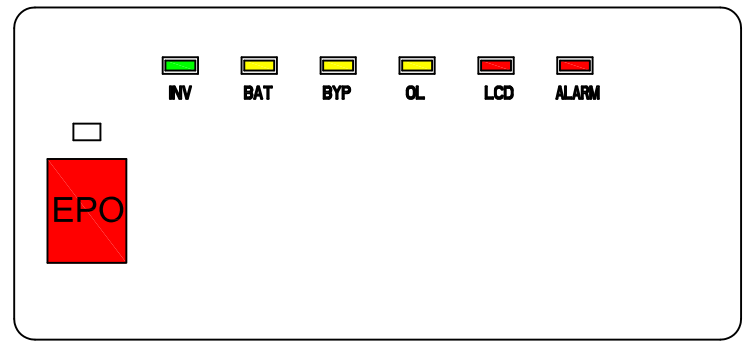
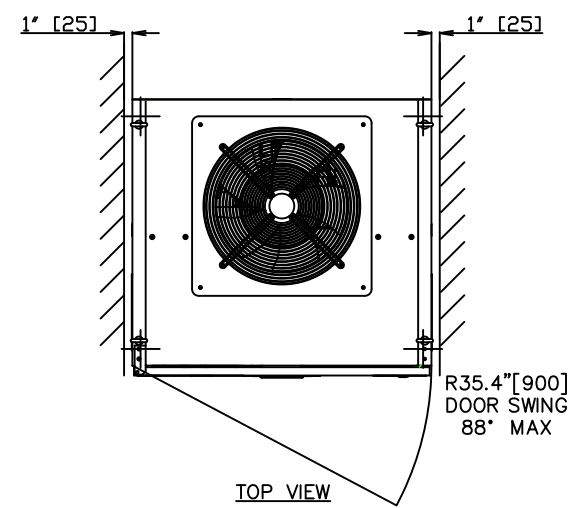
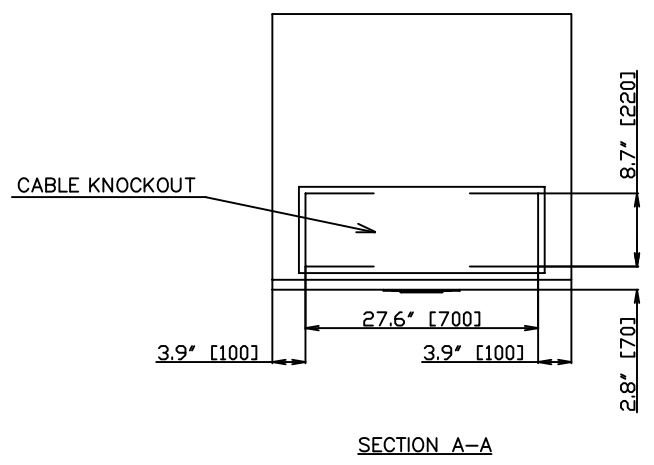
TOSHIBA

INTERNATIONAL CORPORATION
Houston Texas, USA

THIS MATERIAL IS THE EXCLUSIVE PROPERTY OF TOSHIBA INTERNATIONAL CORPORATION AND SHALL NOT BE REPRODUCED, USED, OR DISCLOSED TO OTHERS UNLESS PRIOR WRITTEN AUTHORIZATION IS OBTAINED.

TITLE
One-Line Diagram
160 kVA **G9000 Series** UPS
480V Single Input, 480V Output

DRAWING NO. T90S3S16KS6XSN
REV. 1.0

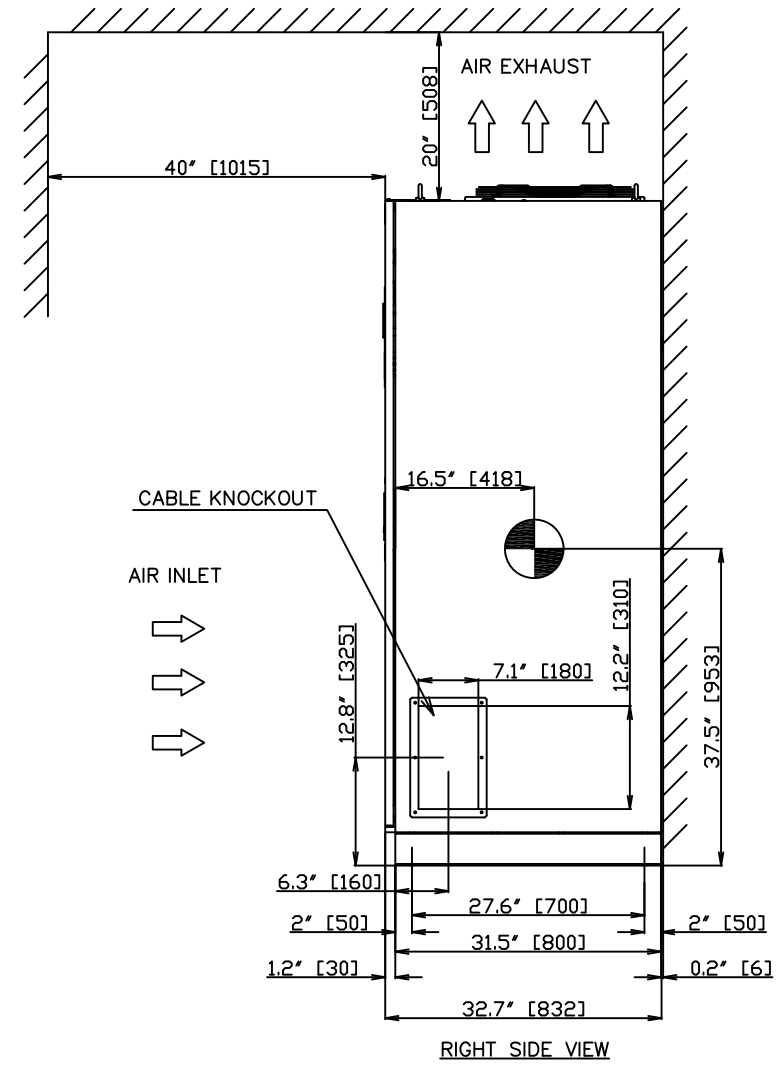
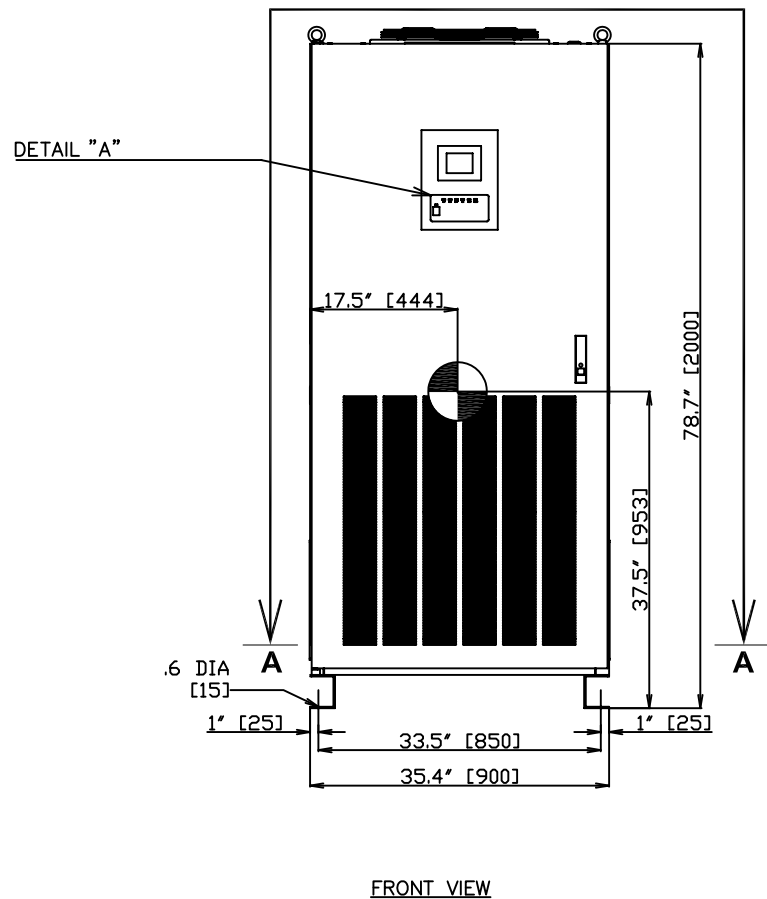


DETAIL "A"

NOTES

1. DIMENSIONS ARE SHOWN IN INCHES (MILLIMETERS IN BRACKETS []).
2. SIDE CLEARANCE OF 1" [25] IS NOT REQUIRED WITH CABINETS INSTALLED SIDE-BY-SIDE.
3. CABINET SHOULD BE MAINTAINED UPRIGHT WITHIN ±15° DURING MOVING.

TYPE : T90S3S16KS6XSN
 RATING : 160kVA-3P3W-480V-60Hz
 APPROX. WEIGHT : 1,160LBS (526kg)
 HEAT REJECTION : 17.8 kBTUs/hour



FOR QUOTE	Q0	DRAWN BY: JBT	DATE 11/7/08	THIS MATERIAL IS THE EXCLUSIVE PROPERTY OF TOSHIBA INTERNATIONAL CORPORATION AND SHALL NOT BE REPRODUCED, USED OR DISCLOSED TO OTHERS UNLESS PRIOR WRITTEN AUTHORIZATION IS OBTAINED.	TITLE: G9000 160kVA UPS MODULE OUTLINE & INSTALLATION DRAWING	SCALE NTS	ORDER NO.
		CHECKED BY	DATE			DRAWING NO. 916441COL0811JBT-MKTG	
		APPROVED BY	DATE			SH.1 OF 1	

TOSHIBA INTERNATIONAL CORPORATION
 13131 WEST LITTLE YORK ROAD, HOUSTON, TX, 77041 U.S.A.