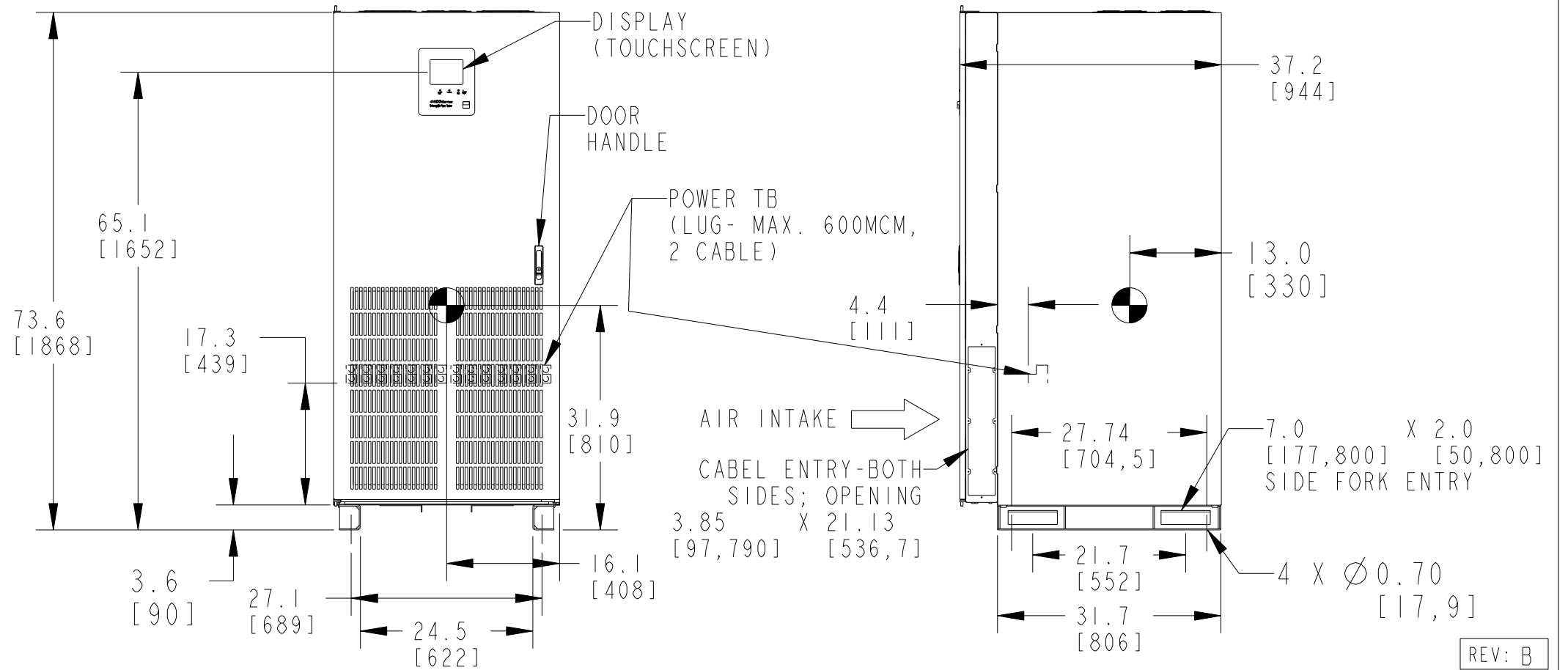
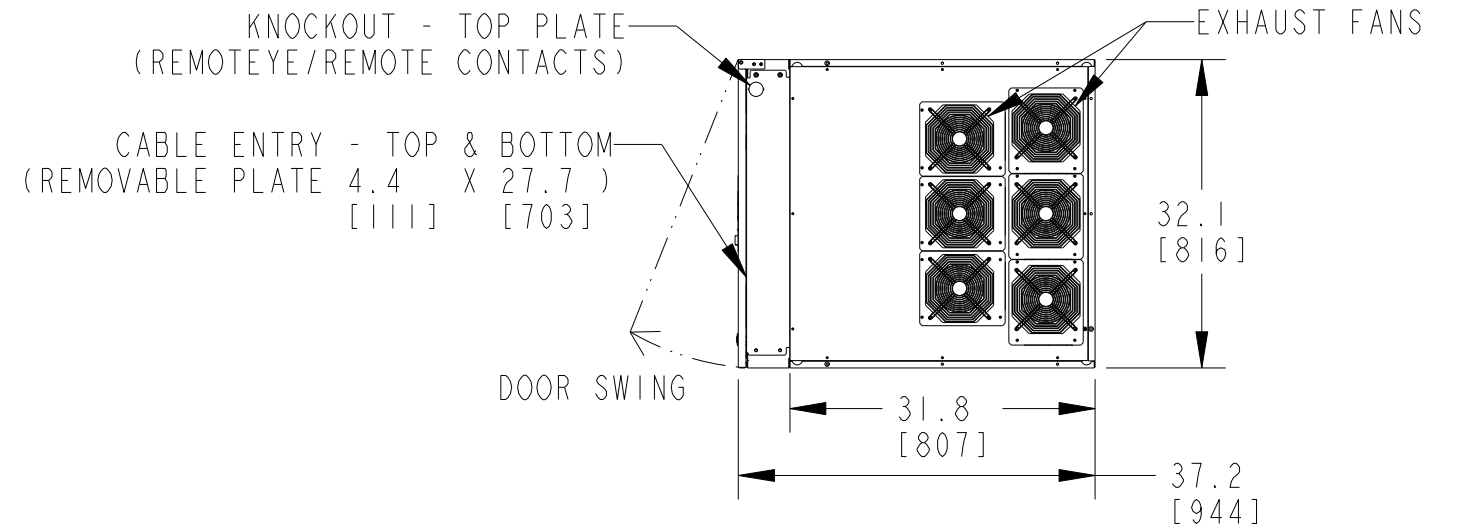
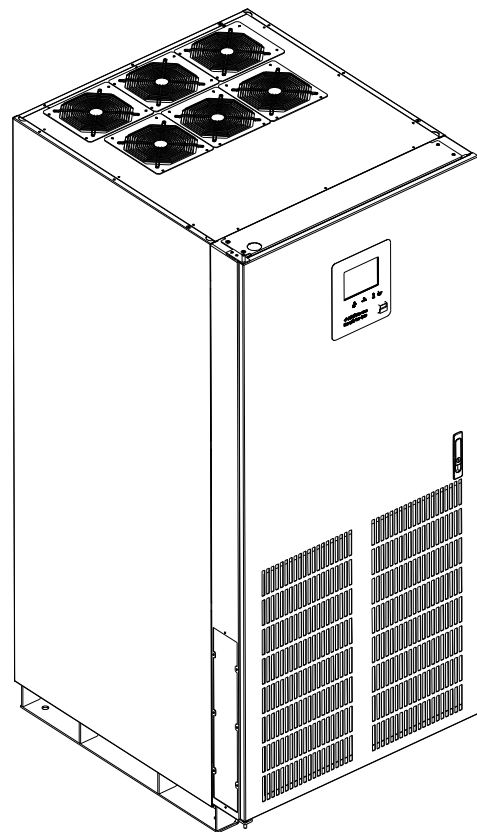


PARAMETERS	80 KVA
UNIT WEIGHT (LBS/KGS)	1625 / 732
VENTILATION REQTS.	FRONT 44"; TOP 16"
FINISH	O'BRIEN BLACK

NOTE: SEE MANUAL FOR COMPLETE SPECIFICATIONS



TOLERANCE:
 .XX TO ±.03
 .XXX TO ±.015
 .XXXX TO ±.005

REV: B

HEIGHT UPDATE	07-14	ZIR	DRAWN BY:	DATE	THIS MATERIAL IS THE EXCLUSIVE PROPERTY OF TOSHIBA INTERNATIONAL CORPORATION AND SHALL NOT BE REPRODUCED, USED OR DISCLOSED TO OTHERS UNLESS PRIOR WRITTEN AUTHORIZATION IS OBTAINED.	TITLE:	MECHANICAL OUTLINE, 4400 SERIES UPS 80KVA (DUAL I/P W/ XFMR)	SCALE	ORDER NO.
			CHECKED BY:	DATE				0.050	
			APPROVED BY:	DATE				DRAWING NO.	
			WLM	03-Jul-14				4400_80KVA	SH. 1 OF 1

TOSHIBA INTERNATIONAL CORPORATION
 13131 WEST LITTLE YORK ROAD, HOUSTON, TX, 77041 U.S.A.