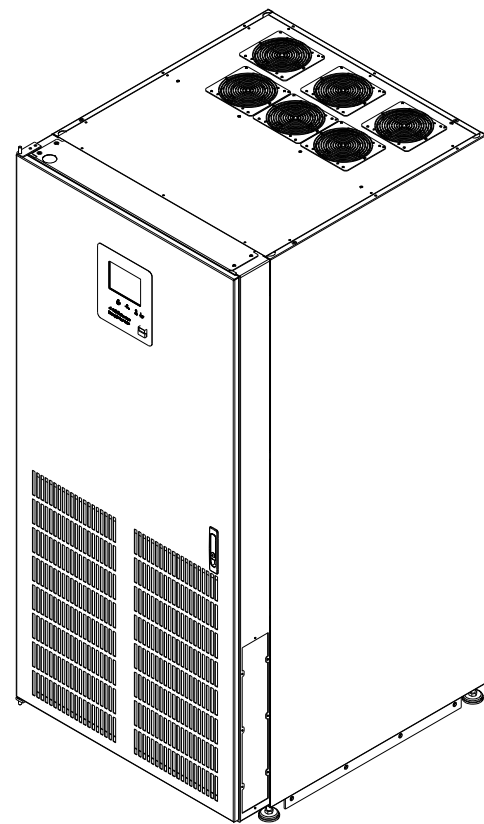


NOTES:

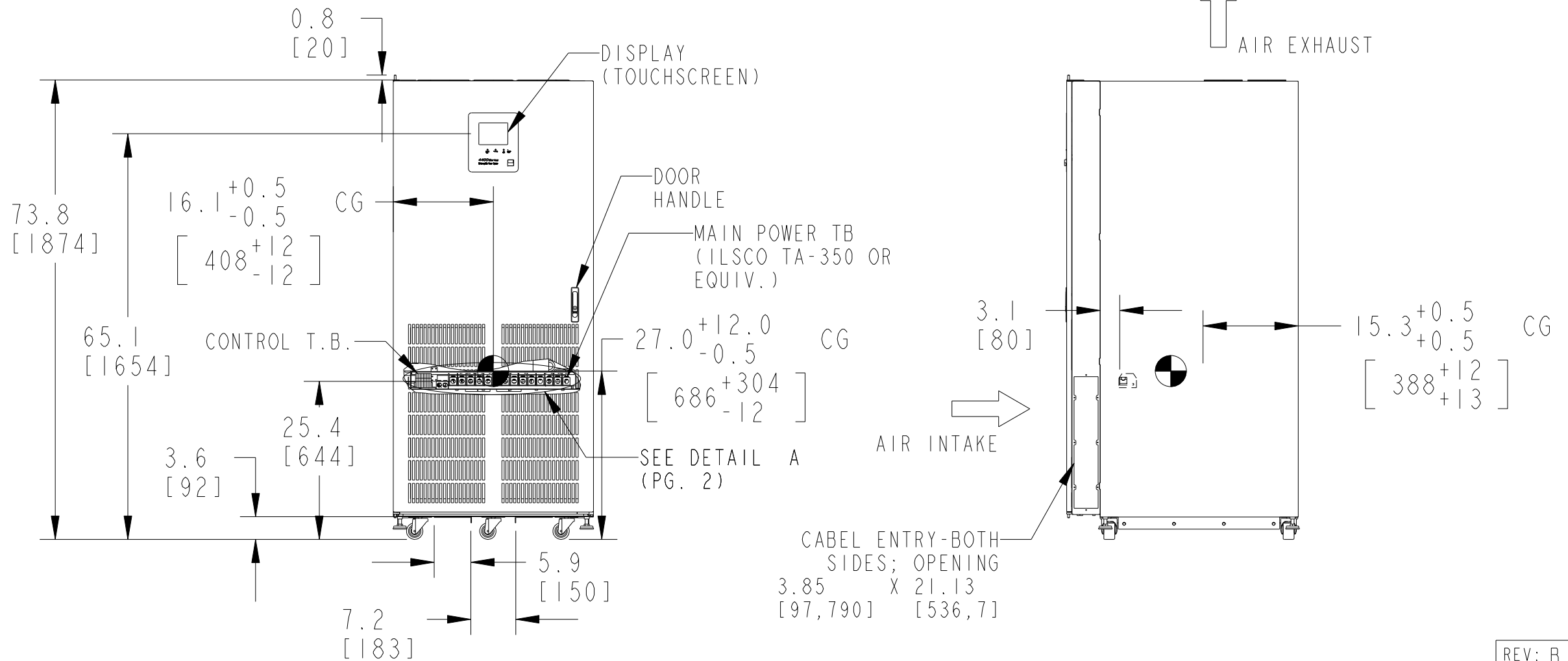
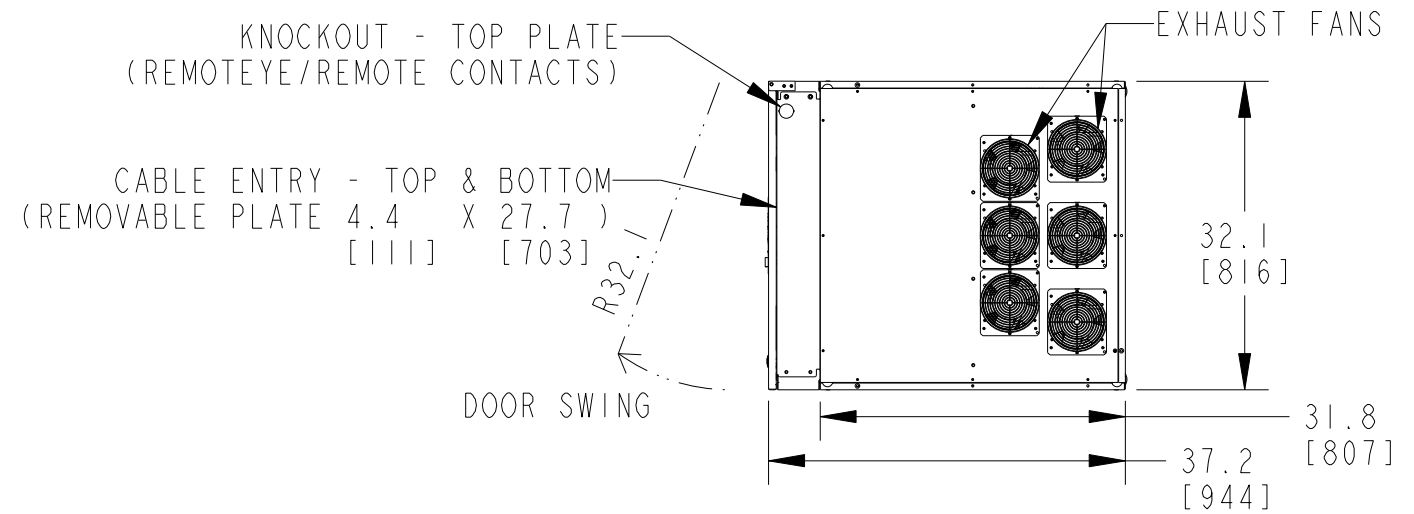
1. UNIT WEIGHT & C.G. LOCATION VARIES BASED ON UNIT OPTION.
2. SEE MANUAL FOR COMPLETE SPECIFICATIONS.

PARAMETERS	50 KVA
UNIT WEIGHT (LBS/KGS)	1605 / 722 (2 XFMR)
VENTILATION REQTS.	FRONT 44"; TOP 16"
FINISH	O'BRIEN BLACK/WHITE GRAY



FRONT-RIGHT ISO VIEW  
(WITH CASTERS)

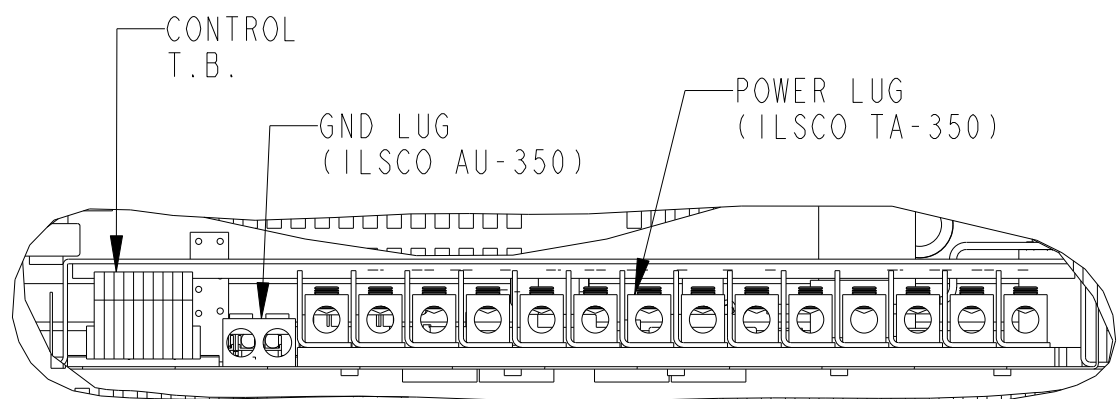
TOLERANCE:  
.XX TO ±.03  
.XXX TO ±.015  
.XXXX TO ±.005



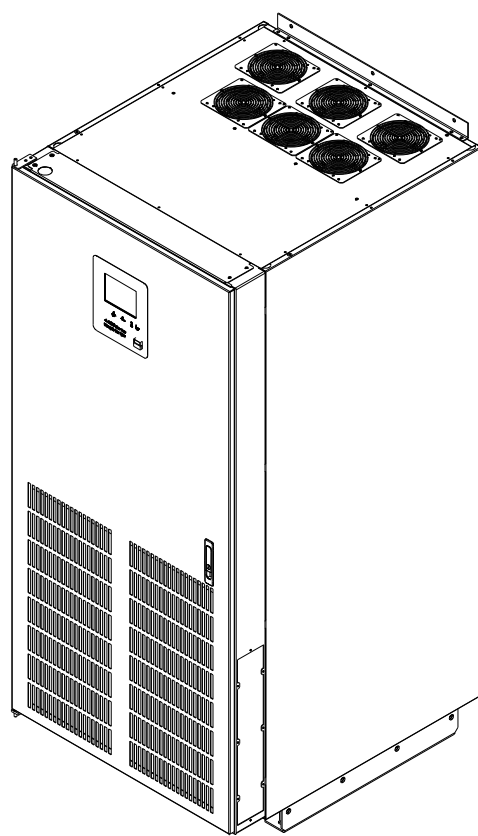
REV: B

UPDATE NOTES, ADD PG. 2	03-14	ZIR	DRAWN BY:	DATE	THIS MATERIAL IS THE EXCLUSIVE PROPERTY OF TOSHIBA INTERNATIONAL CORPORATION AND SHALL NOT BE REPRODUCED, USED OR DISCLOSED TO OTHERS UNLESS PRIOR WRITTEN AUTHORIZATION IS OBTAINED.	TITLE:	MECHANICAL OUTLINE, 4400 SERIES UPS 50KVA	SCALE	ORDER NO.
			CHECKED BY:	DATE				0.050	
			APPROVED BY:	DATE				DRAWING NO.	
			WLM	20-Mar-14			4400_50KVA	SH. 1	OF 2

TOSHIBA INTERNATIONAL CORPORATION  
13131 WEST LITTLE YORK ROAD, HOUSTON, TX, 77041 U.S.A.

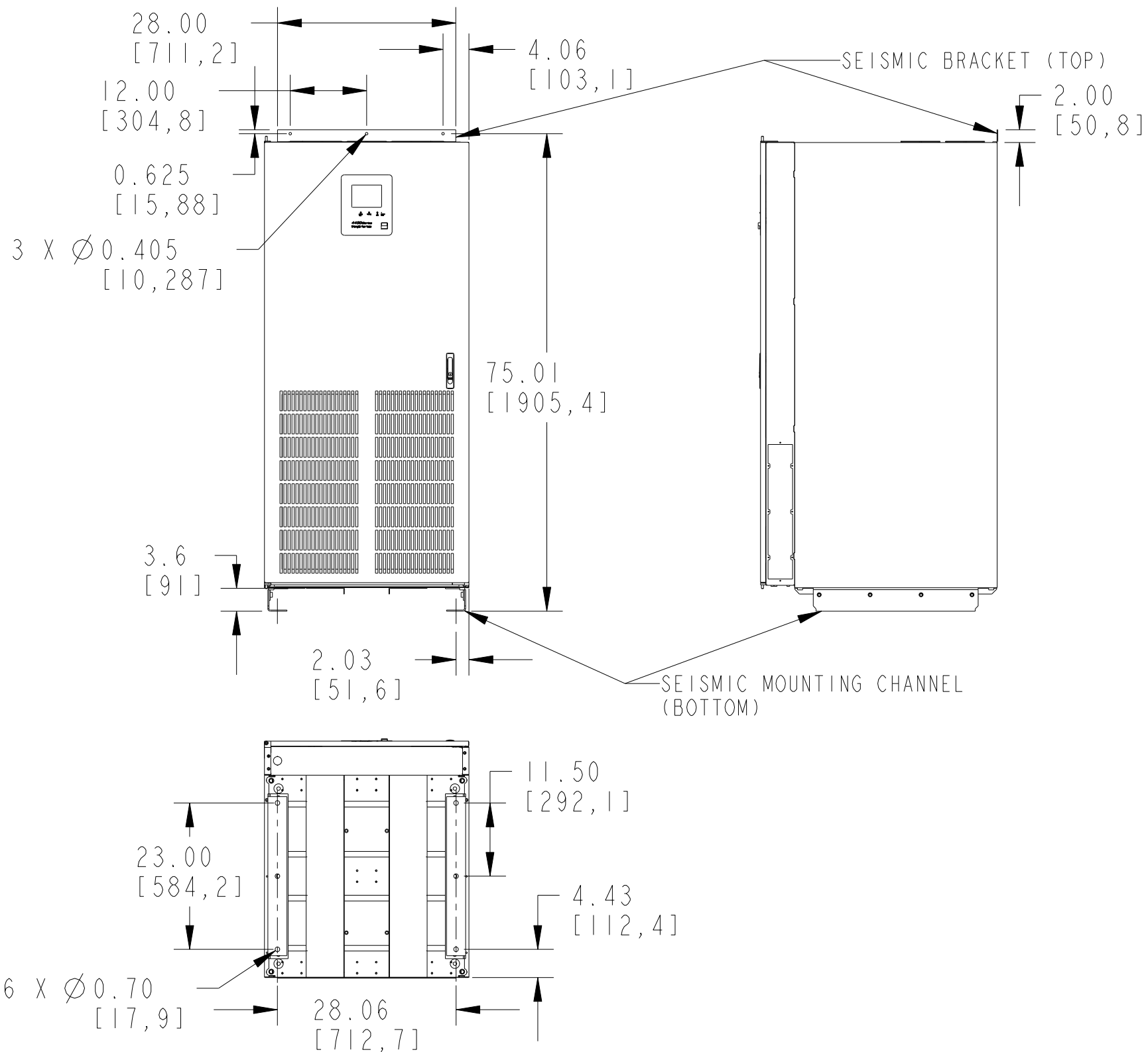


DETAIL A  
SCALE 0.200



FRONT RIGHT ISO VIEW  
(WITH SEISMIC BRACKETS)

TOLERANCE:  
.XX TO ±.03  
.XXX TO ±.015  
.XXXX TO ±.005



REV: B

UPDATE NOTES, ADD PG. 2	03-14	ZIR	DRAWN BY: ZIR	DATE Mar-18-14	THIS MATERIAL IS THE EXCLUSIVE PROPERTY OF TOSHIBA INTERNATIONAL CORPORATION AND SHALL NOT BE REPRODUCED, USED OR DISCLOSED TO OTHERS UNLESS PRIOR WRITTEN AUTHORIZATION IS OBTAINED.	TITLE: MECHANICAL OUTLINE, 4400 SERIES UPS 50KVA	SCALE	ORDER NO.
			CHECKED BY: WLM	DATE 20-Mar-14			0.050	
			APPROVED BY: WLM	DATE 20-Mar-14			DRAWING NO. 4400_50KVA SH. 2 OF 2	

TOSHIBA INTERNATIONAL CORPORATION  
13131 WEST LITTLE YORK ROAD, HOUSTON, TX, 77041 U.S.A.