

TOSHIBA

Leading Innovation >>>



4400 SERIES
UNINTERRUPTIBLE POWER SYSTEMS



4400 SERIES

NEXT GENERATION TECHNOLOGY.



The Toshiba 4400 Series uninterruptible power system (UPS) is the next-generation three-phase UPS. The double-conversion, all insulated-gate bipolar transistor (IGBT) 4400 Series UPS features a digitally controlled IGBT input rectifier, an intelligent low harmonic pulse-width modulation (PWM) output, state-of-the-art electronic battery isolation circuitry, and an easy to navigate local touchscreen interface. The small footprint and total front access mechanical design requires zero rear clearance and includes features such as top, bottom, and/or side cable entry, standard sized air filter provisions, and lockable keyed doors. Customization is available through a number of options, such as internal battery backup, internal transformers for specific voltage applications, and remote monitoring with the Toshiba RemotEye® 4 multi-protocol UPS monitoring solution.

- 0.9 Power Factor
- High Efficiency
- Small Footprint
- Easily Installed

| MODEL | Model Number | 4400X3X150XA | 4400X3X200XA | 4400X3X250XA | 4400X3X300XA | 4400X3X500XA | 4400X3X800XA |
|-------------|--|--|-------------------|---------------------|--|---------------------|---------------------|
| | Capacity | 15 kVA (13.5 kW) | 20 kVA (18 kW) | 25 kVA (22.5 kW) | 30 kVA (27 kW) | 50 kVA (45 kW) | 80 kVA (72 kW) |
| | Topology | True On-Line, Double-Conversion, All-IGBT Technology | | | | | |
| INPUT | Voltage (Standard) | 208/120V Three-phase, Four-Wire + Ground Input* | | | | | |
| | Voltage Range | -15% to +10% (Without Using Battery) | | | | | |
| | Power Factor | > 0.98 | | | | | |
| | Current THD | < 5% at 100% Load | | | | | |
| | Frequency | 50 ±5 Hz; 60 ±5 Hz | | | | | |
| OUTPUT | Voltage (Standard) | 208/120 V: Three-Phase, Four-Wire + Ground** | | | | | |
| | Frequency | 50/60 Hz, ±0.1% Auto-Sensing Standard. (50/60Hz Selectable, for use as Frequency Converter) | | | | | |
| | Voltage Regulation | ±2.0% | | | | | |
| | Power Factor | 0.9 Lagging | | | | | |
| | Overload | Inverter: 125% for 90 Seconds, 150% for 30 Seconds Bypass: 125% for 10 Minutes, 1000% for 10 Milliseconds | | | | | |
| BATTERY | DC Link | 288 VDC | | | | | |
| | Ripple Voltage | < 0.5% DC | | | | | |
| ENVIRONMENT | Temperature Range | 32° to 104°F (0° to 40°C) | | | | | |
| | Relative Humidity | 5% to 95% Non-Condensing | | | | | |
| | Heat Rejection | 4556 BTUs/Hour | 6074 BTUs/Hour | 7395 BTUs/Hour | 9111 BTUs/Hour | 15,186 BTUs/Hour | 24,297 BTUs/Hour |
| | Full-Load Efficiency | 91.0% | | | | | |
| | 25% Load Efficiency | 88.8% | | | | | |
| | Altitude | 3300 ft. (1000 m) Maximum Without Derating | | | | | |
| | Air Filtration | Airflow Front to Top with Provisions for Front-Located Air Filters | | | | | |
| DIMENSIONS | Dimensions | 20.12" (W) x 37.4" (D) x 65.06" (H) (511mm x 950mm x 1653mm) | | | 32.1" (W) x 31.8" (D) x 73.6" (H) (816mm x 807mm x 1870mm) | | |
| | Weight*** | 720 lbs. (326 kg) | | | 1350 lbs. (612 kg) | | 1500 lbs. (680 kg) |
| COLOR | O'Brien Black (Textured Powder Coat) | | | | | | |
| MONITORING | Touchscreen Operator Interface, UPS Status N/O Dry Contacts, RS232C Interface (Optional RemotEye® 4 Intelligent Monitoring System) | | | | | | |
| OPTIONS | Internal Batteries, Transformers, Dual-Input Feed, RemotEye® Intelligent Monitoring System, Remote Status Alarm Panel, Air Filters | | | | | | |
| STANDARDS | UL 1778, CUL, ISO9001, ISO14001:2004, ANSI C62.41 (IEEE 587), NEMA/PET-1993, CE, IBC, & CBC (OSHPD) | | | | | | |
| WARRANTY | 3-Year On-Site Warranty; 5-Year Warranty Available; See Toshiba Warranty Policy for Full Details | | | | | | |
| SERVICE | 24-Hour, 365-Day Technical Support: 1-877-867-8773 | | | | | | |

* Isolation and Auto Transformer Options for Input Voltage Conversion

** Auto Transformer Options for Output Voltage Conversion

*** Unit Weight Not Including Internal Battery and Transformers

Specifications subject to change without notice.

4400 SERIES

> OPTIONS & ACCESSORIES

BATTERY CABINETS

Matching battery cabinets with Valve-Regulated Lead Acid (VRLA) batteries provide uniform installation appearance with various run times. The Toshiba 4400 Series UPS works equally well with either VRLA or flooded-cell battery backup.

AUXILIARY CABINETS

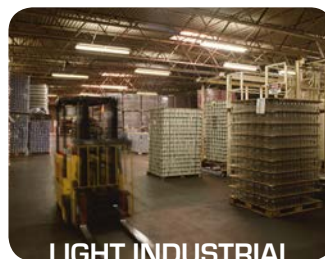
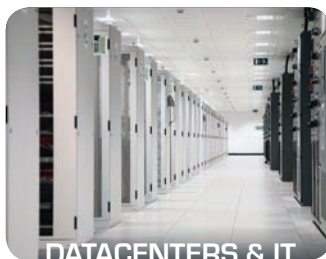
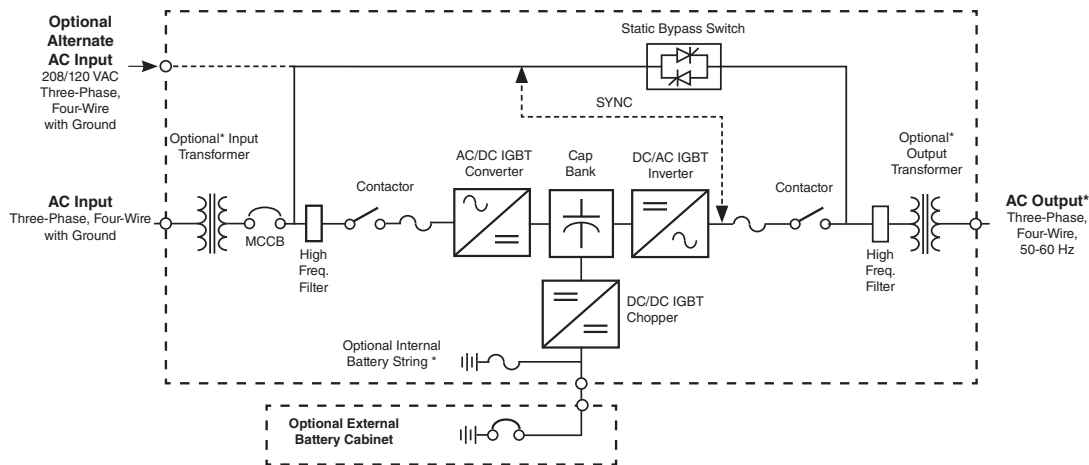
Matching auxiliary cabinets are available for uniform installation appearance. Options include maintenance bypass switch (MBS), power distribution, and subfeed breakers.

UPS MONITORING

RemotEye® 4 offers real-time control, monitoring, and analysis of UPS operation. The quick and easy-to-use software can automatically initiate an orderly shutdown to connected servers to minimize any risk of data loss. RemotEye® 4 also features a first-ever mobile website for monitoring UPS status updates on-the-go. Universal communications protocols compatible with RemotEye® 4 include Modbus TCP & RTU, BACnet IP & MSTP, HTTP/HTTPS, and SNMP. Compatibility with IPv6 also is included.



4400 Series UPS Diagram



TOSHIBA POWER ELECTRONICS DIVISION:

- Uninterruptible Power Systems
- Rechargeable Batteries
- Power Conditioning Systems
- Remote Monitoring

TOSHIBA
Leading Innovation >>>

www.toshibaups.com